

FAG

QJ218-XL-N2-TVP

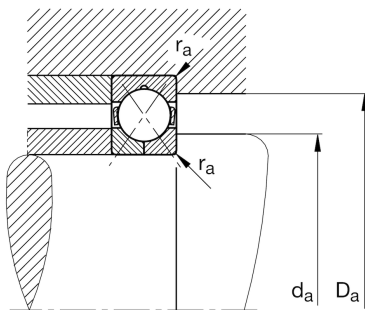
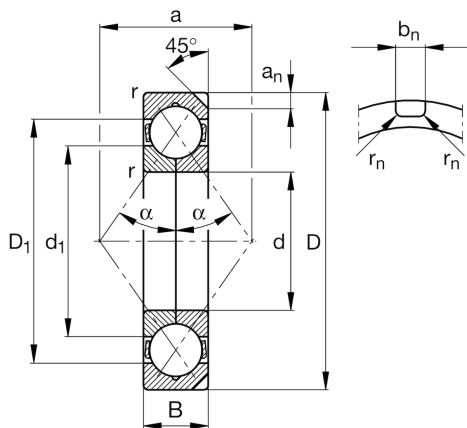
Four-point contact bearing

Schaeffler ID:
0192610710000

Four point contact bearing QJ2..-XL-N2-TVP, X-life, holding grooves, plastic cage

X-life

Technical information



Main Dimensions & Performance Data

d	90 mm	Bore diameter
D	160 mm	Outside diameter
B	30 mm	Width
C _r	189.000 N	Basic dynamic load rating, radial
C _{0r}	198.000 N	Basic static load rating, radial
C _{ur}	12.900 N	Fatigue load limit, radial
n _G	5.500 1/min	Limiting speed
n _{gr}	3.750 1/min	Reference speed
	2,35 kg	Weight

Dimensions

r _{min}	2 mm	Minimum chamfer dimension
D ₁	136,1 mm	Shoulder diameter outer ring
d ₁	114,3 mm	Shoulder diameter inner ring
a	88 mm	Distance between the apexes of the pressure cones
a _n	8,1 mm	Height retaining slot
b _n	6,5 mm	Width retaining slot
r _n	1 mm	Radius retaining slot
	45 °	Angle retaining slot
α	35 °	Contact angle

Mounting dimensions

d _{a min}	101 mm	Minimum diameter shaft shoulder
D _{a max}	149 mm	Maximum diameter of housing shoulder
r _{a max}	2 mm	Maximum fillet radius

Temperature range

T _{min}	-30 °C	Operating temperature min.
T _{max}	120 °C	Operating temperature max.